



# INSTALLATION INSTRUCTIONS

Accessory  
**REAR SPLASH GUARDS**  
P/N 08P09-TZ3-200

Application  
**2015 TLX**

Publications No.  
**VERSION 1**  
Issue Date  
**JULY 2014**

## PARTS LIST

Left rear splash guard



Right rear splash guard



Left bracket (Marked L)



Right bracket (Marked R)



6 Self-tapping screws, 5 x 25 mm



4 Self-tapping screws, 5 x 20 mm



10 Spring nuts

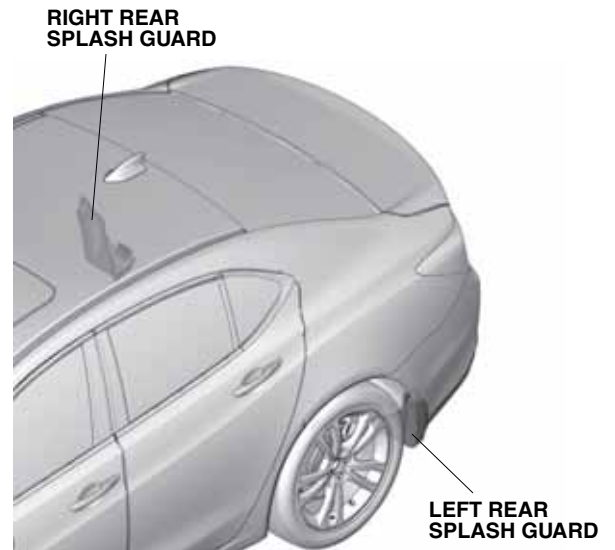


## TOOL AND SUPPLIES REQUIRED

Phillips screwdriver

Stubby Phillips screwdriver

### *Illustration of the Rear Splash Guards on the Vehicle*



QC02107AA

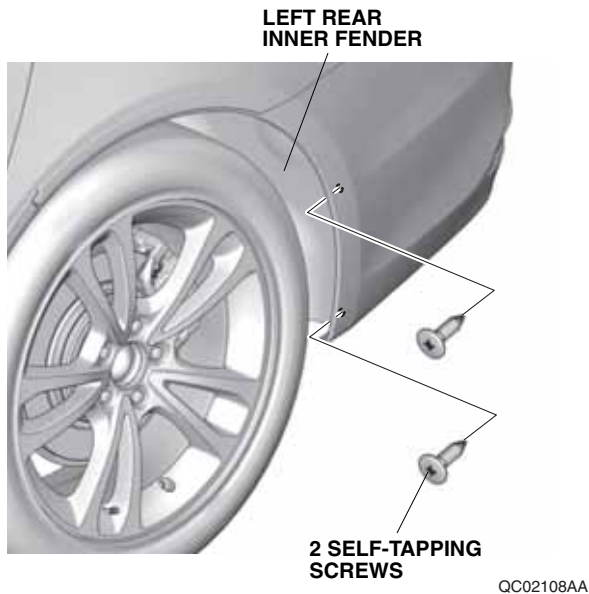
## INSTALLATION

**Client Information:** The information in this installation instruction is intended for use only by skilled technicians who have the proper tools, equipment, and training to correctly and safely add equipment to your vehicle. These procedures should not be attempted by “do-it-yourselfers.”

NOTE: Do not damage the paint finish.

### Installing the Rear Splash Guards

1. Remove the two self-tapping screws from the left rear inner fender.

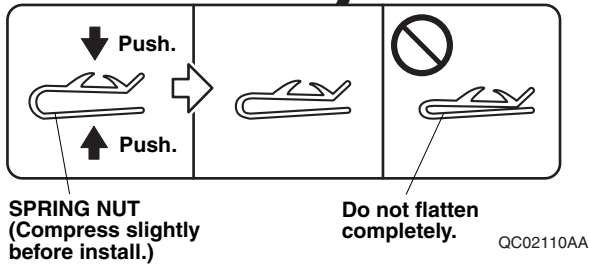
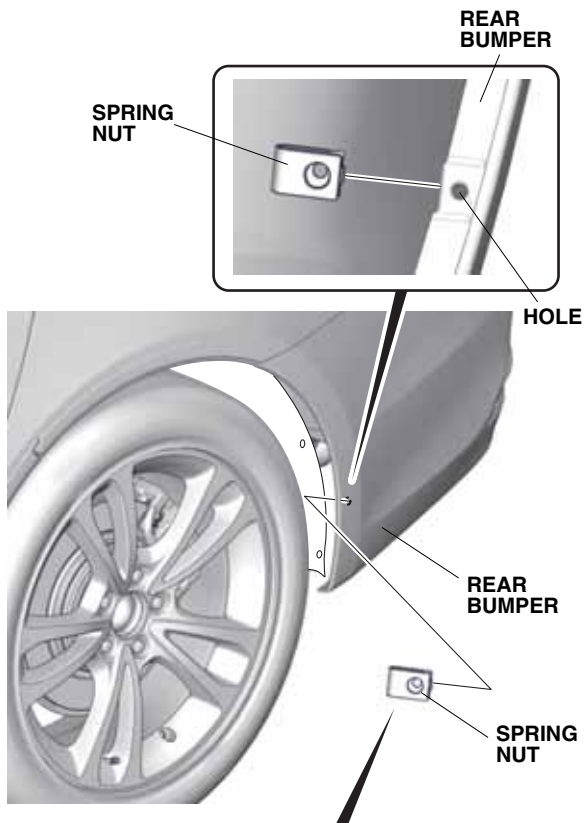


2. Pull back the left rear inner fender.

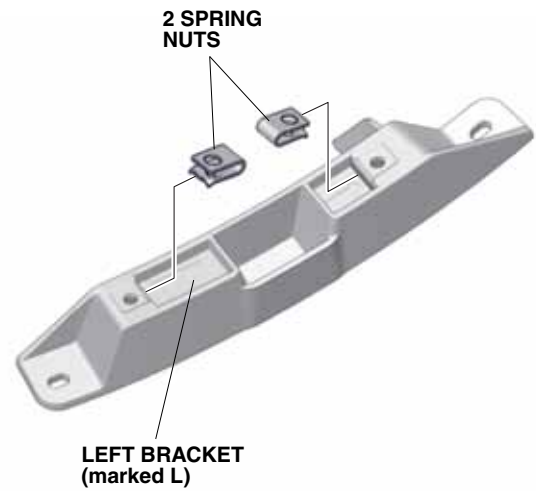


QC02109AA

- Slightly compress the spring nut as shown. Slide the spring nut over the hole in the rear bumper. Install the spring nut in the direction shown.

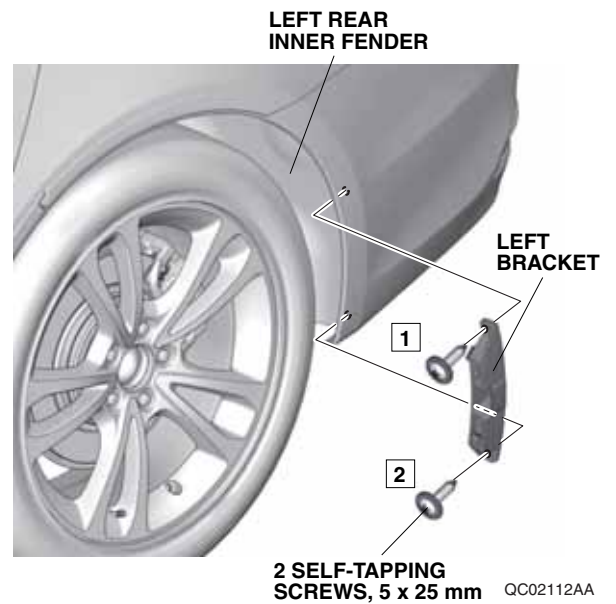


- Get the left bracket and install two spring nuts on it in the direction shown.

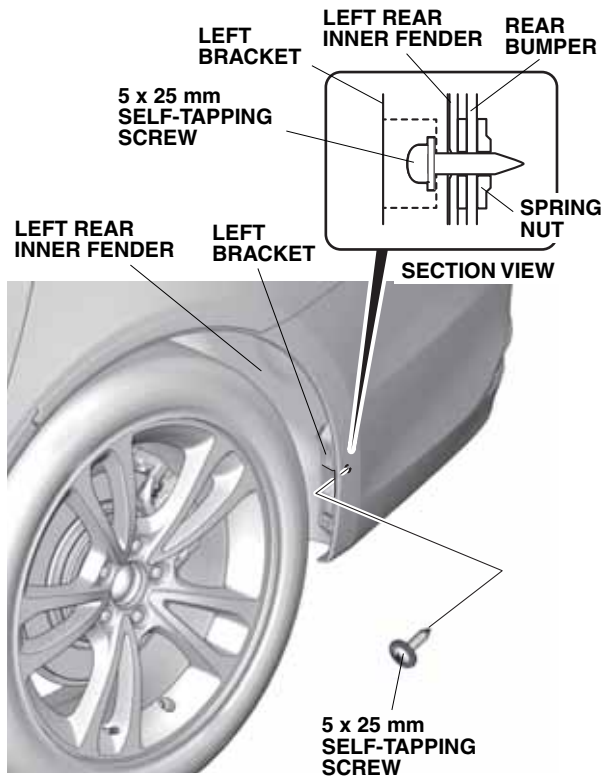


QC02111AA

- Install the left bracket on the left rear inner fender using two 5 x 25 mm self-tapping screws in the order shown.

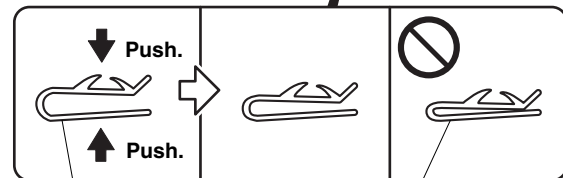
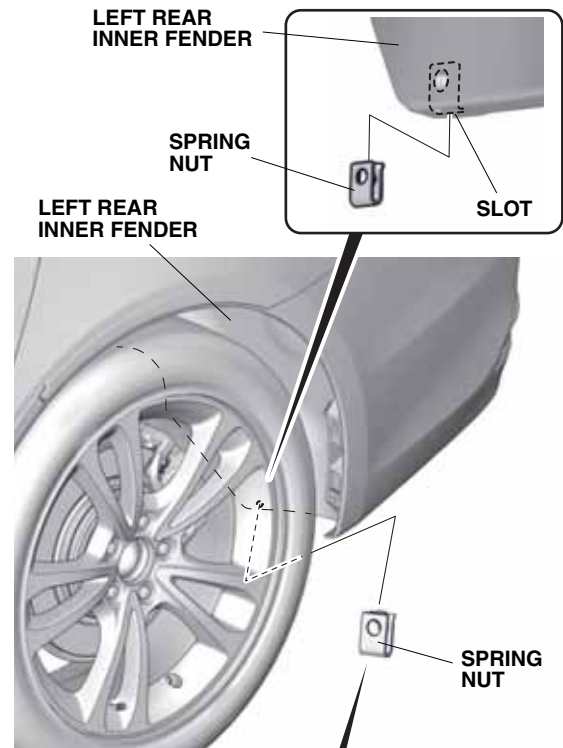


- Secure the left bracket to the rear bumper using a 5 x 25 mm self-tapping screw. Thread the screw into the spring nut through the left rear inner fender.



QC02401AA

- Slightly compress the spring nut. Install one spring nut on the left rear inner fender in the direction shown.



**SPRING NUT**  
(Compress slightly before install.)

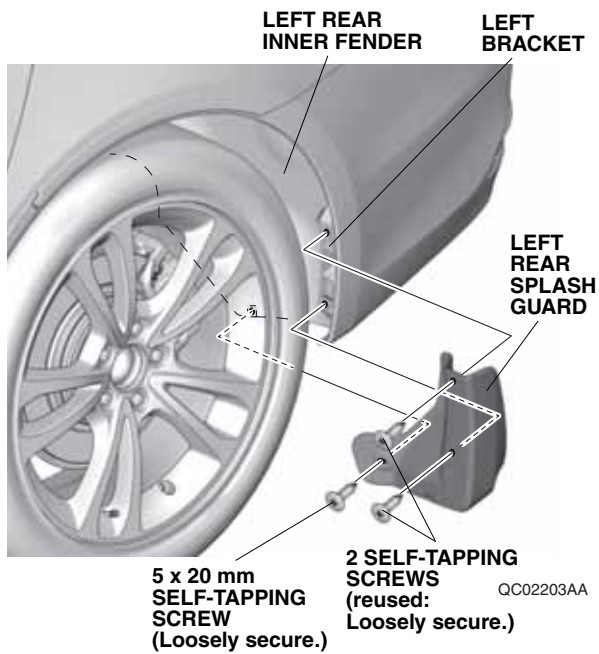
**Do not flatten completely.**

QC02202AA

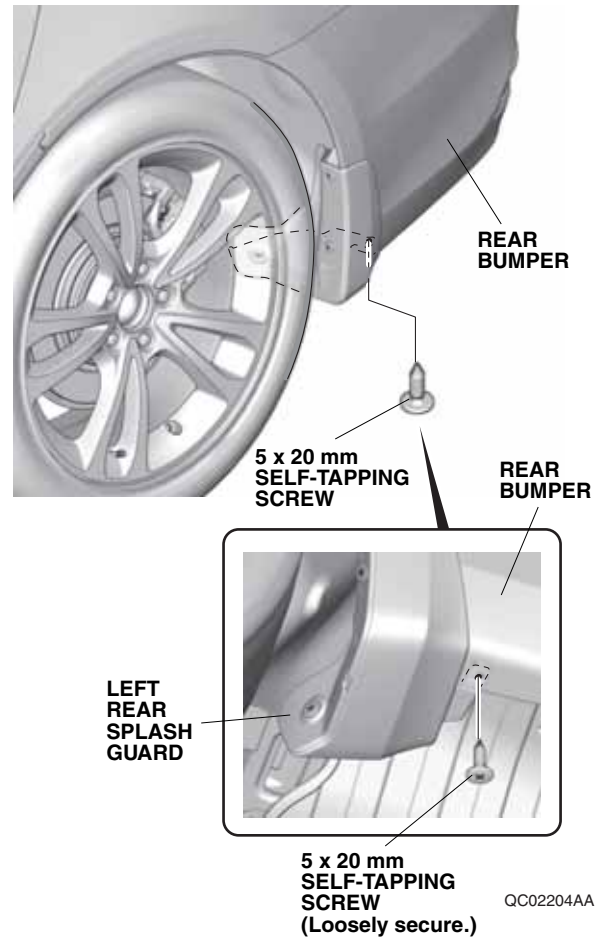
8. Install one spring nut on the left rear splash guard in the direction shown.



9. Loosely install the left rear splash guard on the left bracket and left rear inner fender with one 5 x 20 mm self-tapping screw and two of the self-tapping screws removed in step 1.

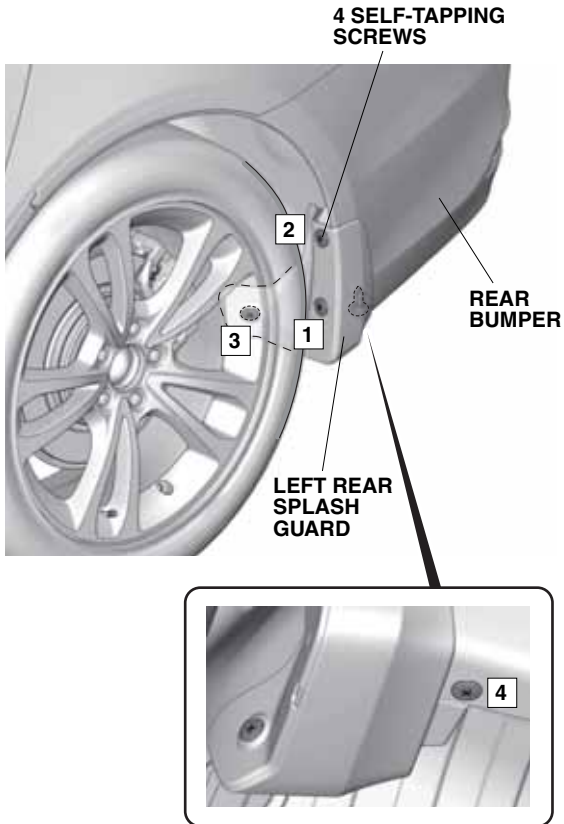


10. Loosely secure the left rear splash guard to the rear bumper with one additional 5 x 20 mm self-tapping screw.



11. While holding the left rear splash guard against the rear bumper, tighten the four self-tapping screws in the order shown.

NOTE: Make sure there is no gap between the splash guard and the vehicle body. If there is a gap, loosen the self-tapping screws, hold the splash guard against the body, and tighten the screws.



QC02205AA

12. Repeat steps 1 through 11 to install the right rear splash guard.